



# LAMIPACKER

## Instruction Manual

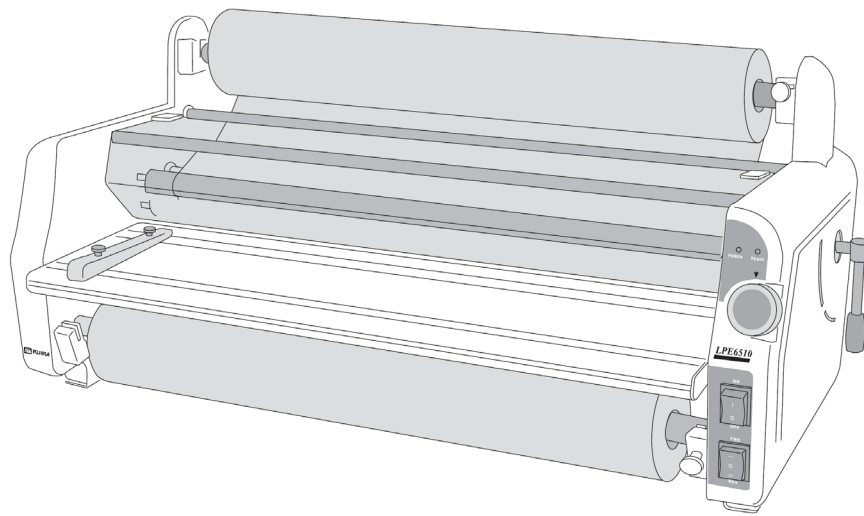
---

Models:

# LPE3510 (13")

# LPE6510 (25")

---



For safe operation be sure to read through this instruction manual before operating your Laminator.



ID Card System, Laminating Machines & Film  
FUJIPLA, Inc.  
TOKYO, JAPAN



**DryLam**

**A Trademark of Martin Yale Industries**

251 Wedcor Avenue, Wabash, IN 46992

Brian Jennett- Tech-Line & Service Advisor/Manager

Phone: (260-569-7231)

[www.MartinYale.com](http://www.MartinYale.com)

LPE6510 Instruction Manual.docx Page 1 of 17

4/17/14, 10/23/14, 5/15/15, 1/27/16, 2/5/16, 2/8/16, 3/18/16, 5/17/16, 9/25/17, 10/17/18 Brian Jennett/DryLam

DryLam is a trademark of Martin Yale Industries LLC which is the exclusive distributor of Fujipla products in North America. Contact DryLam’s Tech-Line at 888-633-1973 x8575 or [brianj@drylam.com](mailto:brianj@drylam.com) with any service related inquiries. Other information is available on our website at [www.martinyale.com](http://www.martinyale.com)



## Contents

WARNING BEFORE USING YOUR LAMIPACKER: .....	3
RECYCLING INFORMATION:.....	3
SAFETY PRECAUTIONS:.....	4
1. NAMES AND FUNCTIONS:.....	5
2. FILM SETTING:.....	6
3. WARMING UP: .....	8
4. OPERATION:.....	9
5. FINISH LAMINATING.....	12
6. MECHANICAL NOISE.....	12
The sound of film vibrating on the face of the heat chambers .....	12
Cleaning and Lubricating the Heat Chambers and Rubber Rollers.....	13
Instructions for DryLam product CLKIT (Cleaning Kit).....	14
Cleaning Of Rollers.....	15
Instructions for DryLam product 01300 (Maintenance Kit) .....	15
Instructions for DryLam product 01300 (Maintenance Kit) (cont'd) .....	16
7. LAMINATING FILM .....	16
8. SPECIFICATIONS: .....	16
9. WARRANTY .....	17

Thank you for your purchase of the Fujipla LPE3510 or LPE6510 laminator. This laminating machine is designed to laminate most common paper stocks, inks and toners with transparent lamination film. Laminated objects are waterproof and durable as well as having a lustrous appearance. Please note that, once laminated, it is difficult to peel off the film from the laminated object without damage to it. Be sure to read this instruction

### DryLam

#### A Trademark of Martin Yale Industries

251 Wedcor Avenue, Wabash, IN 46992

Brian Jennett- Tech-Line & Service Advisor/Manager

Phone: (260-569-7231)

[www.MartinYale.com](http://www.MartinYale.com)

manual thoroughly before operating your Lamipacker to avoid danger and the possibility of poor quality laminations.

## WARNING BEFORE USING YOUR LAMIPACKER:



Do not dismantle

Do not open the casing of the Lamipacker or disassemble the machine unless directed by DryLam's Tech-Line (888-633-1973 x8575)



Warning tangling

If problems (e.g. jamming, etc.) occur, switch off and unplug immediately and then contact DryLam's Tech-Line. (888-633-1973 x8575)

Be careful that your tie, necklace, hair, etc. do not get caught in the machine. In such a case, switch off immediately.



Electric shock

Do not spill water on the Lamipacker. Do not operate it with wet hands.

Do not set the Lamipacker on the power cord.



Warning Hot

Be sure to unplug before moving the Lamipacker.

The surface of Lamipacker and laminated objects may be hot.

Do not laminate prohibited materials (see next item "laminating objects" on page 4).

In the case of incorrect threading/setup, laminating prohibited materials or laminations performed incorrectly smoke may come out of the laminator.

The safety cover should always be placed correctly. Always ventilate the area well when operating. The laminator should be located close to the wall outlet and easily accessible.



## RECYCLING INFORMATION:

Thank you for choosing this Fujipla product. It is an electronic device containing components which require proper disposal at the end of their effective life. You can help control emerging risks by disposing the electronic device and your domestic waste separately. Electric and electronic devices are marked with a crossed out waste bin indicating that these products should not be dumped together with domestic waste. If being dumped together with domestic waste electric and electronic equipment may have severe impacts on the environment as well as human health the least of which due to the possibly of hazardous materials. In accordance with the European WEEE directive Fujipla provides an easy way to recycle waste of electric and electronic equipment. Please dispose of electric and electronic equipment waste by using your local collection site for this type of waste.

### DryLam

#### A Trademark of Martin Yale Industries

251 Wedcor Avenue, Wabash, IN 46992

Brian Jennett- Tech-Line & Service Advisor/Manager

Phone: (260-569-7231)

[www.MartinYale.com](http://www.MartinYale.com)

## **SAFETY PRECAUTIONS:**

For safe operation, be sure to observe following precautions.

### **Installation:**

1. Do not install the Lamipacker in a humid, dusty area, or near an air conditioner.
2. Install Lamipacker on a level surface and leave enough space in the rear to guide laminated objects out the exit.
3. Do not put anything on top of the Lamipacker.
4. Be certain that the power source connects to a dedicated and grounded AC120V 60 Hz outlet. Do not share the electrical outlet with other devices.
5. Use in a well ventilated room.

### **Laminating film:**

While genuine FUJIPLA "CP Roll" is recommended any quality 1.5 or 3 mil laminating film may be used. Contact your dealer.

### **Laminating objects:**

Lamination is made by heat and pressure. Inappropriate operation may cause failure in quality of lamination or in jamming of film. Avoid lamination of the following:

- Inflammable substances or any substance susceptible to heat (e.g. vinyl chloride, polyethylene, etc.)
- Valuable items which are unique and not replaceable. Do not laminate money.
- Lamination items which exceed 35mil. In total thickness.
- Objects which change color or quality with heat (e.g. thermal paper, pictures drawn with crayon etc.)

### **Operation:**

- Operate the Lamipacker only for lamination of paper items.
- Do not leave the Lamipacker during operation.

Changes or modifications not expressly approved by the party responsible for compliance could void the user's authority to operate the equipment.

NOTE: This equipment has been tested and found to comply with the limits for a Class B digital device, pursuant to part 15 of the FCC Rules. These limits are designed to provide reasonable protection against harmful interference in a residential installation. This equipment generates, uses and can radiate radio frequency energy and, if not installed and used in accordance with the instructions, may cause harmful interference to radio communications. However, there is no guarantee that interference will not occur in a particular installation. If this equipment does cause harmful interference to radio or television reception, which can be determined by turning the equipment off and on, the user is encouraged to try to correct the interference by one or more of the following measures:

- Reorient or relocate the receiving antenna.
- Increase the separation between the equipment and receiver.
- Connect the equipment into an outlet on a circuit different from that to which the receiver is connected.
- Consult the dealer or an experienced radio/TV technician for help.

### **DryLam**

#### **A Trademark of Martin Yale Industries**

251 Wedcor Avenue, Wabash, IN 46992

Brian Jennett- Tech-Line & Service Advisor/Manager

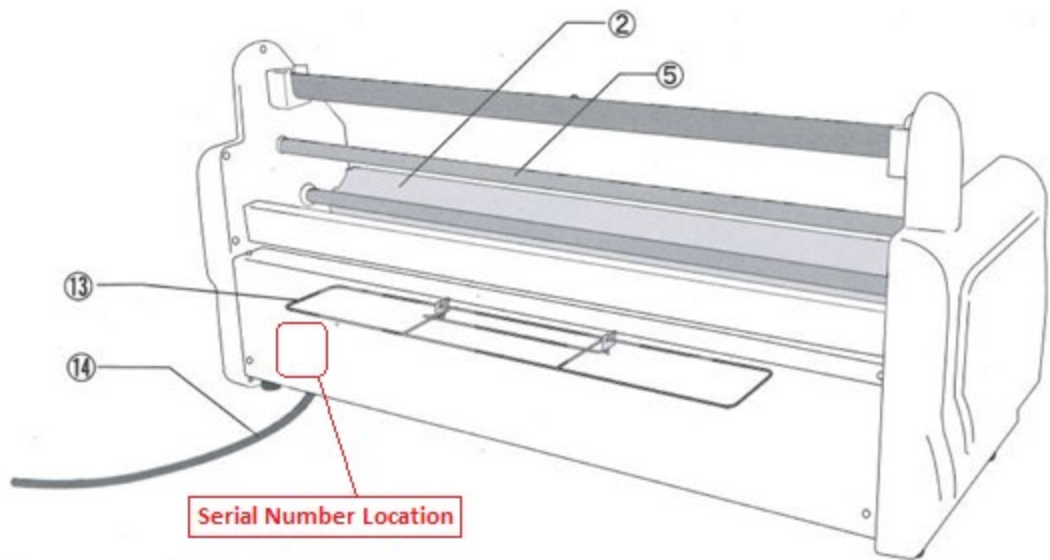
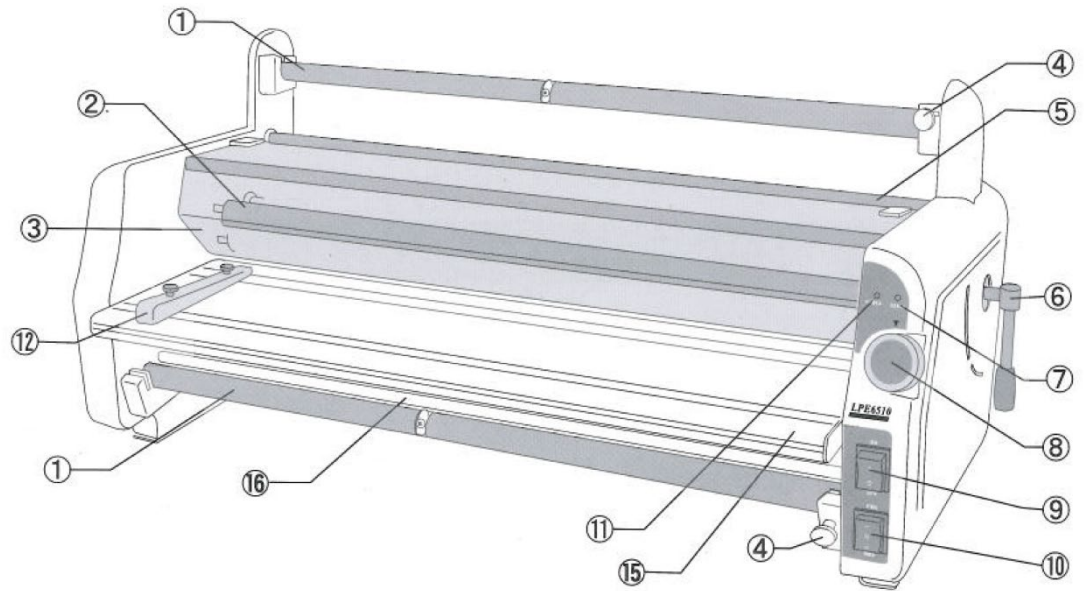
Phone: (260-569-7231)

[www.MartinYale.com](http://www.MartinYale.com)

# 1. NAMES AND FUNCTIONS:

## Name of Components

1. Mandrels
2. Heat Chamber and Heat Rollers
3. Safety Cover
4. Film Tension Controllers
5. Upper Guide Roller
6. Lamination Lever
7. READY Lamp
8. Control Dial
9. Power Switch
10. Motor Switch
11. POWER Lamp
12. Paper Guide
13. Rear Wire Tray
14. Power Cord
15. Feed Tray
16. Lower Guide Roller



## DryLam

### A Trademark of Martin Yale Industries

251 Wedcor Avenue, Wabash, IN 46992

Brian Jennett- Tech-Line & Service Advisor/Manager

Phone: (260-569-7231)

[www.MartinYale.com](http://www.MartinYale.com)

## 2. FILM SETTING:

Insert Mandrel into the film roll (upper & lower). Be sure the direction of curved end of the clips is “pointed” in the reverse direction of the film rotation. Fig A shows the setup for “adhesive inside” film- the most common type.

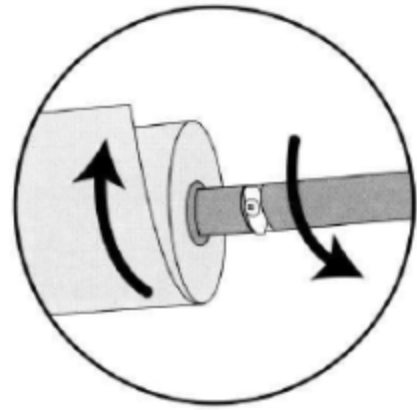
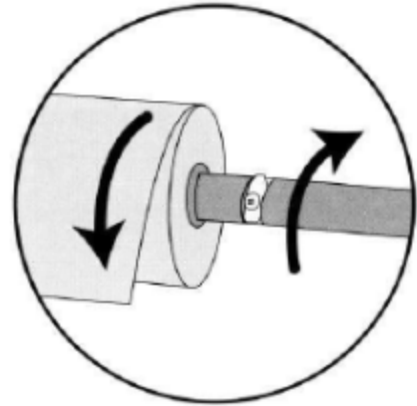


FIG. A

UPPER ROLL:  
Clip “points” down.  
Film falls off the back and bottom of the roll.



LOWER ROLL:  
Clip “points” up.  
Film falls off the front and top of the roll.

The clips on the mandrels are adjustable (see FIG B). Loosened the phillips screw and adjust the clip, if necessary, so that the curved end of the clip lightly ‘grips’ the cardboard tube of the film roll.

Correctly adjusted, the clip should grab in one direction, but slip in the other direction to provide ease of film roll changes.

Once set this adjustment should only need to be changed if necessitated by film rolls that are not quite standard size (often caused by swelling due to humidity levels in the environment).



### DryLam

#### A Trademark of Martin Yale Industries

251 Wedcor Avenue, Wabash, IN 46992  
Brian Jennett- Tech-Line & Service Advisor/Manager  
Phone: (260-569-7231)  
[www.MartinYale.com](http://www.MartinYale.com)

FIG B

## FILM SETTING (cont'd)

Set the film roll and Mandrel on the machine (upper & lower). \*Be sure the adhesive side of the film is facing you, not the Heat Chamber(s) (FIG C).

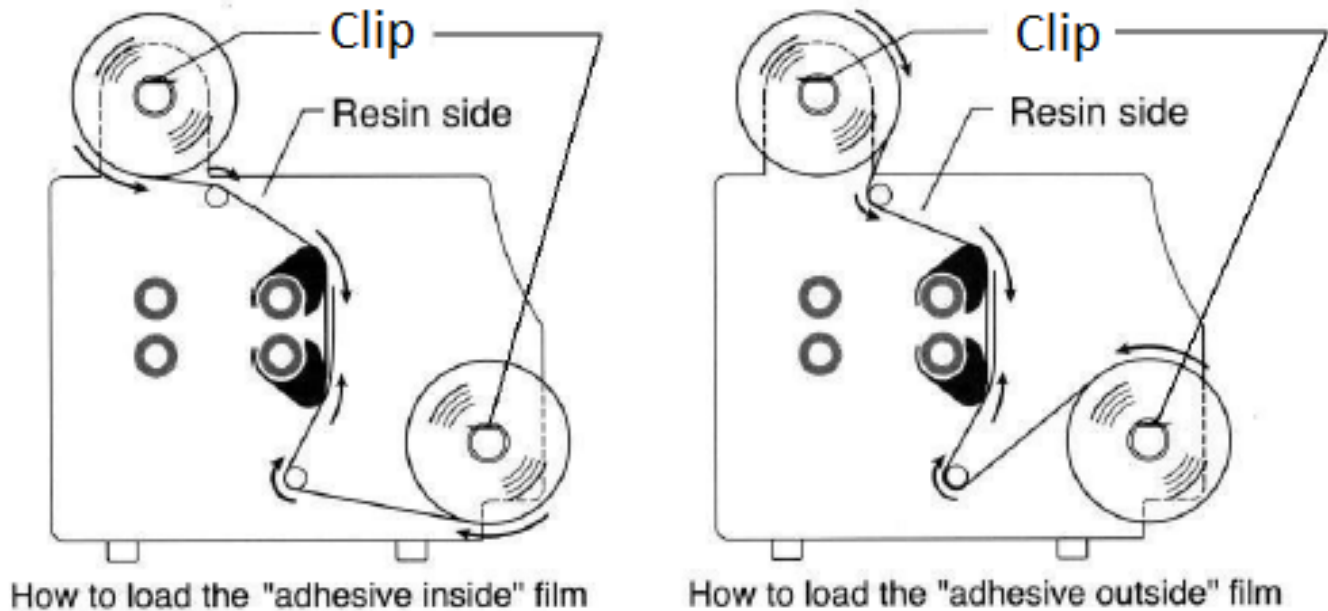


FIG C

Pull out the end of the upper film roll and pull the film down in front of the Heat Roller, passing it over the Upper Guide Roll as illustrated. Pull out the end of lower film roll passing the film around the back of the Lower Guide Roller. Adjust the position of upper and lower films so that edges of the films align. Put the end of lower film over the upper film.

**NOTE:** "Adhesive outside" film is not a common film type.

### DryLam

#### A Trademark of Martin Yale Industries

251 Wedcor Avenue, Wabash, IN 46992

Brian Jennett- Tech-Line & Service Advisor/Manager

Phone: (260-569-7231)

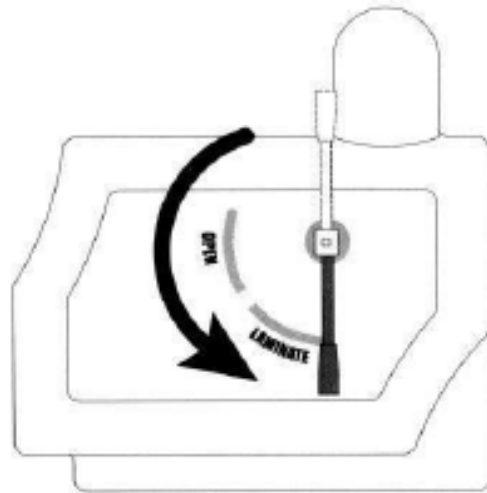
[www.MartinYale.com](http://www.MartinYale.com)

### 3. WARMING UP:

Set Lamination Lever to LAMINATE position (see FIG D).

Turn on Power Switch. POWER lamp (red) will glow.

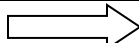

- LAMINATE: Rollers will be closed.
- OPEN: Rollers will be opened.



Operation Lever

FIG D

Set temperature according to the object to be laminated:

Machine 	LPE 3510 (13")		LPE 6510 (25")	
Item to be laminated 	Film thickness		Film thickness	
	1.5mil	3.0mil	1.5mil	3.0mil
Thin Paper, Copying Paper, Printing Paper, Brochure	<b>6-7</b>	<b>7-8</b>	<b>7-8</b>	<b>7-8</b>
Thick Paper, Business Card, Thick Printing Paper, Photo Paper	<b>7-8</b>	<b>8-9</b>	<b>8-9</b>	<b>8-9</b>
<p>The setting may be affected by room temperature conditions.                      Lamination is an art form. Experimentation is the key to successful results.                      The above settings are for "School-Lam" film. There are some higher quality films which will melt at lower temperatures. Consult the directions for the film being used.</p>				

READY lamp (green) will glow indicating the machine is now ready for laminating.

#### DryLam

**A Trademark of Martin Yale Industries**

251 Wedcor Avenue, Wabash, IN 46992

Brian Jennett- Tech-Line & Service Advisor/Manager

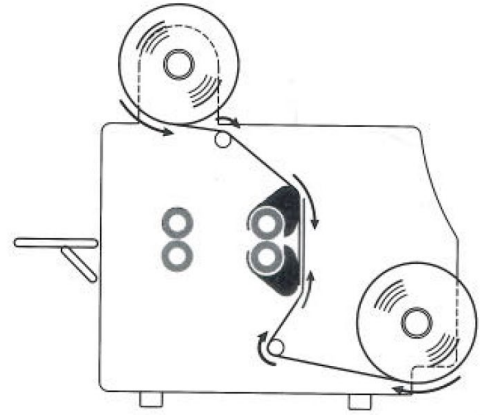
Phone: (260-569-7231)

[www.MartinYale.com](http://www.MartinYale.com)



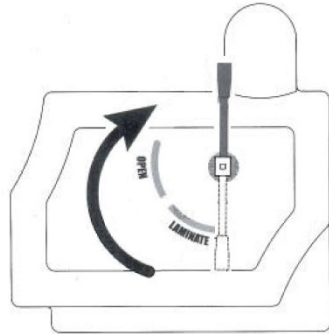
#### 4. OPERATION:

Bring up the rear tray to level operation position.  
Hook the support frame to hold the tray up.

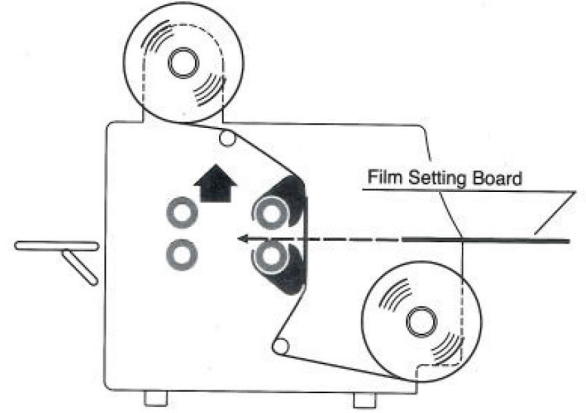


Overlap upper and lower film sheets in the front of the Heat Chambers.

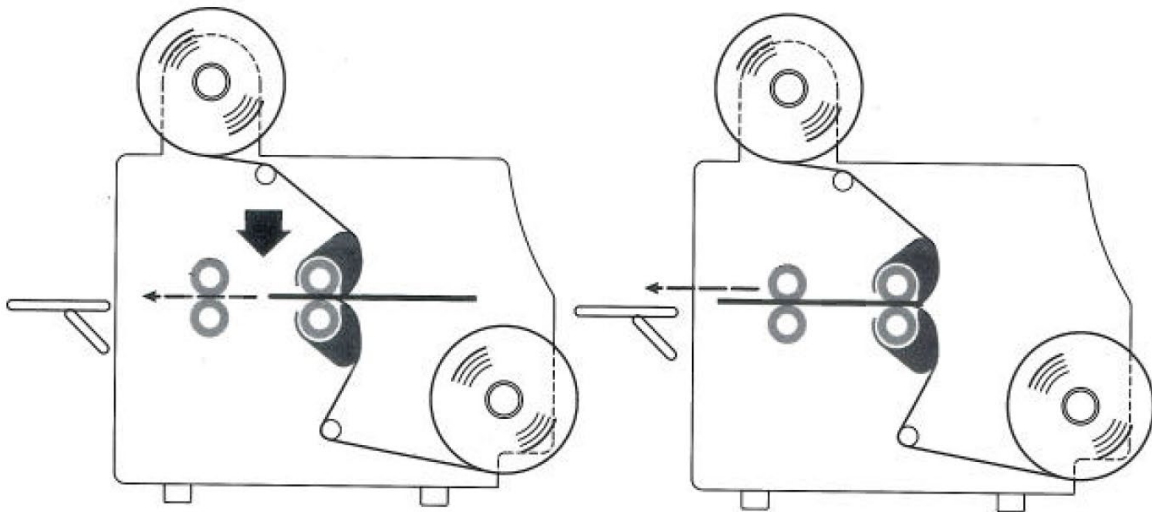
Set the Lamination Lever up to "OPEN".



Position the film threading card (included with the laminator, or from a box of film) between the Heat Rollers together with film sheets.



Push both sheets of film between the chambers and continue until the board and two sheets of film exit the rear of the laminator.



#### DryLam

**A Trademark of Martin Yale Industries**

251 Wedcor Avenue, Wabash, IN 46992

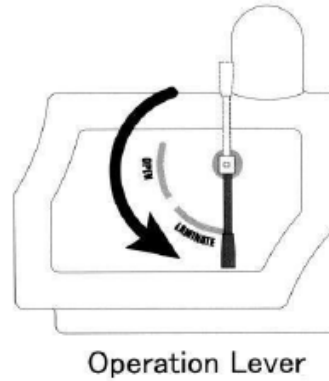
Brian Jennett- Tech-Line & Service Advisor/Manager

Phone: (260-569-7231)

[www.MartinYale.com](http://www.MartinYale.com)

#### 4. OPERATION (cont'd):

Set Lamination Lever down to "LAMINATE".



Switch the Motor Switch to the FWD (up) position and begin laminating film only (do not insert paper at this time). Run a few feet of film out the back of the laminator.

Allow the threading card to drop towards the floor as the machine runs.

Check the film output for quality and adjust tension controllers as necessary (see next section).

#### **DryLam**

#### **A Trademark of Martin Yale Industries**

251 Wedcor Avenue, Wabash, IN 46992

Brian Jennett- Tech-Line & Service Advisor/Manager

Phone: (260-569-7231)

[www.MartinYale.com](http://www.MartinYale.com)

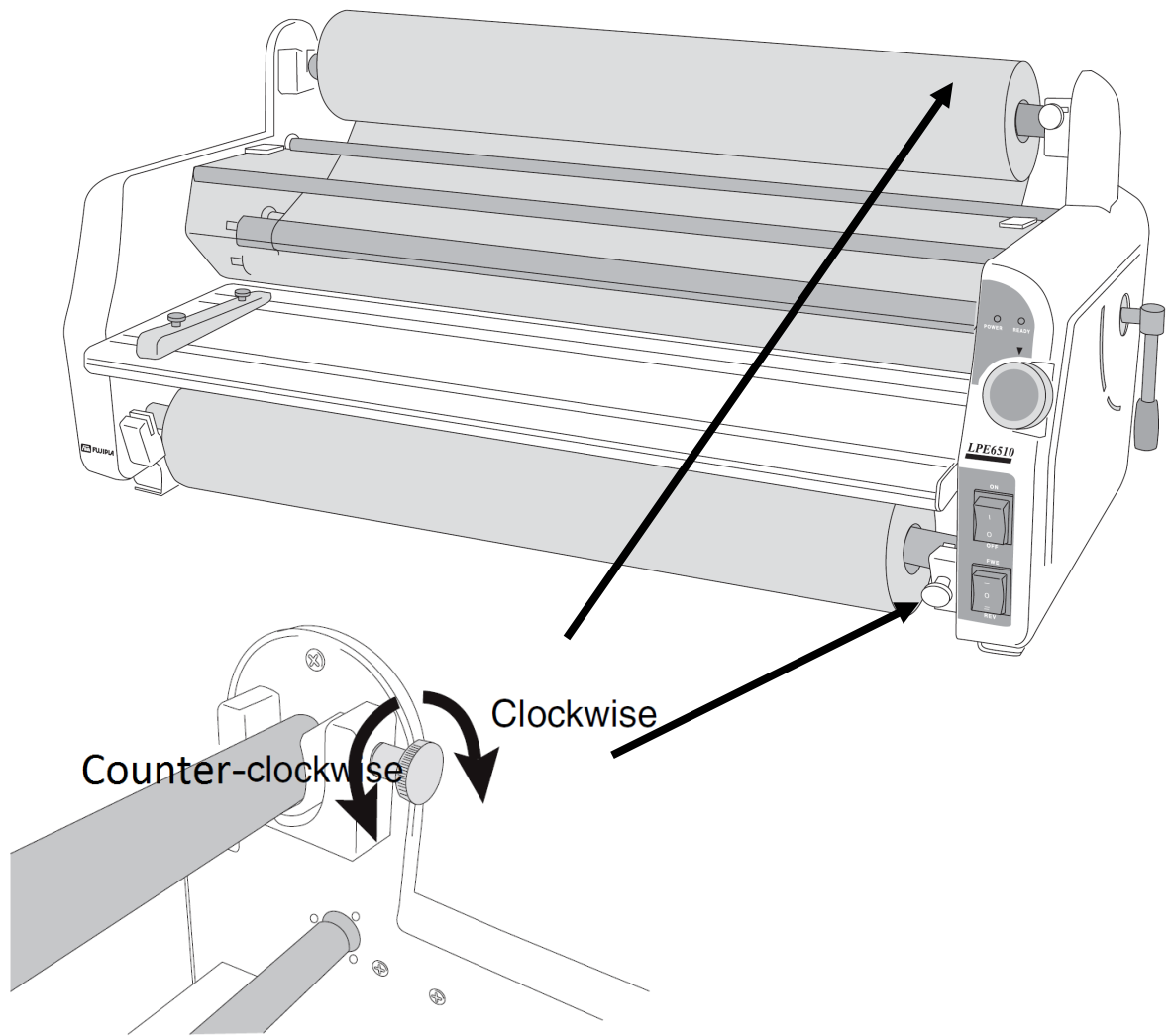
#### 4. OPERATION (cont'd): TENSION CONTROL

Creases or wrinkles may appear in the film as it exits the rear of the machine. Observe the film at the face of the Heat Chambers. There may be the occurrence of creases or “waterfall” of the film along the chambers. They should disappear shortly. If they do not disappear, tension may be too **loose**. Adjust the film tension controllers tighter.

If film tension controllers are too **tight** film may not move through the laminator. Always start with little to no tension and increase tension only as necessary to reduce wrinkles.

**NOTE: ALWAYS ADJUST BOTH TENSION CONTROLLERS EQUALLY! FAILURE TO DO SO MAY RESULT IN A TENSION IMBALANCE THAT MAY RESULT IN A ‘WRAP AROUND’ OF FILM AND/OR PAPER AROUND THE INTERNAL ROLLERS!**

- To increase tension, rotate Tension Controllers clockwise.
- To decrease tension, rotate Tension Controllers counter-clockwise.



**A Trademark of Martin Yale Industries**

251 Wedcor Avenue, Wabash, IN 46992

Brian Jennett- Tech-Line & Service Advisor/Manager

Phone: (260-569-7231)

[www.MartinYale.com](http://www.MartinYale.com)

## 4. OPERATION (cont'd):

### Notes:

During lamination, be sure that Safety Cover and Feed Table are securely set.

If READY lamp does not glow stop the lamination until the lamp glows again.

Rollers rotate in reverse when Motor Switch is turned to REV. Do not use this function except in case of emergency.

If the REV is used film may back up into the lamination area and cause a jam.

## 5. FINISH LAMINATING

Switch OFF Motor Switch (center position).

Turn off the Power Switch, and unplug.

## 6. MECHANICAL NOISE

The DryLam Tech-Line receives many calls about noise during lamination. Most noise problems are not the fault of the laminator but caused by:

### The sound of film vibrating on the face of the heat chambers

This is usually not a problem with the machine itself but a COMPATABILITY ISSUE caused by any of, but not limited to, the following reasons: 1) film formulation, 2) amount of tension of the film sheets as they cross the face of the heat chamber(s) and 3) present condition of the face of the heat chamber(s).

In a great majority of cases this compatibility issue can be reduced or eliminated by cleaning the face of both heat chambers and applying dry film lubricant (without silicone). In the normal course of operating the LPE3510/6510 laminator dirt and adhesive residue will accumulate on the face of the heat chambers and rubber surface of the lamination rollers (the process of lamination produces static electricity which attracts airborne dust and dirt). Regular inspection and cleaning/lubrication will assure that this does not become a problem.

Never use hard, sharp, or abrasive items to clean the heat chambers. The chambers are coated with a non-stick surface that could easily be damaged. Likewise, do not use sharp metallic objects or steel wool to clean the rubber rollers. Any scratches, indentations, or marks left on the rollers will appear on the laminated product.

### DryLam

#### A Trademark of Martin Yale Industries

251 Wedcor Avenue, Wabash, IN 46992

Brian Jennett- Tech-Line & Service Advisor/Manager

Phone: (260-569-7231)

[www.MartinYale.com](http://www.MartinYale.com)

## Cleaning and Lubricating the Heat Chambers and Rubber Rollers

With continuous use the heat chambers and rubber rollers may accumulate adhesive and dirt. It is recommended that you periodically inspect them for adhesive build-up.

Use DryLam Cleaning Kit (part number CLKIT), which contains Xenit Cleaner

and a sponge, for removal of any adhesive build up.



Other suggested solvents which can be purchased locally are:

Rubbing alcohol (isopropyl 70%, or higher)

Goof-Off®,

Acetone

Poly-Off®



### DryLam

#### A Trademark of Martin Yale Industries

251 Wedcor Avenue, Wabash, IN 46992  
Brian Jennett- Tech-Line & Service Advisor/Manager  
Phone: (260-569-7231)

[www.MartinYale.com](http://www.MartinYale.com)

## Instructions for DryLam product CLKIT (Cleaning Kit)

**NOTE:** Be sure to clean the heat chambers only when the laminator is cool.

Moisten the sponge pad with Xenit leaning fluid and wipe down the heat chambers.

**CAUTION:** Teflon coated heat chambers are easily scratched. Use only the recommended applicator pad.

Xenit Cleaner is not a lubricant. The DryLam Maintenance Kit contains a Dry Film Lubricant for the heat chambers and is highly recommended after cleaning.



### DryLam

#### A Trademark of Martin Yale Industries

251 Wedcor Avenue, Wabash, IN 46992

Brian Jennett- Tech-Line & Service Advisor/Manager

Phone: (260-569-7231)

[www.MartinYale.com](http://www.MartinYale.com)

## Cleaning Of Rollers

Clean rollers when necessary. An excess of adhesive stuck to the rollers may cause film jamming.

Fold a sheet of paper (e.g. calendar, catalogue, etc.) in two.

Insert the paper several times between the rollers with folded side first.

Cleaning periodically by wiping with a rag soaked with methyl or ethyl alcohol is recommended because old adhesive cannot be easily removed.

Never use organic solvents (toluene, benzene, thinner, etc.).

Do not use thin paper (e.g. copying paper) for the cleaning of the rollers as it may cause jamming.

Do not use metal or sharp materials to remove glue from rollers.

Use DryLam's Maintenance Kit (part number 01300) to lubricate the face of the Heat Chambers between film roll changes. Doing so will allow film to pass effortlessly over them producing higher quality laminations with less back-tension from the Chambers. The lubricate will also increase the effective life of the chambers. See your dealer or contact DryLam for this part.

### Instructions for DryLam product 01300 (Maintenance Kit)

After cleaning the chambers, as described above, it is **HIGHLY recommended to use the DryLam Maintenance Kit** (DryLam part number 01300). Be certain the heat chambers are clean (see above). This product is not a cleaner or a solvent.

The Maintenance Kit includes Dry Film Lubricant (without silicone!) and a microfiber cloth.



**ryLam**

**A Trademark of Martin Yale Industries**

251 Wedcor Avenue, Wabash, IN 46992

Brian Jennett- Tech-Line & Service Advisor/Manager

Phone: (260-569-7231)

[www.MartinYale.com](http://www.MartinYale.com)

## Instructions for DryLam product 01300 (Maintenance Kit) (cont'd)

After the face of the chambers have been cleaned spray a liberal amount of the Dry Film Lubricant into the microfiber cloth and wipe on the face of the heat chambers. There will be a glossy shine afterwards. Wipe off the excess but do not remove the residue of the lubricant. This lubricant allows the film to slide over the chambers easily, reduces noise and will reduce linear scratches in the film.

These products are available from your DryLam dealer or contact DryLam at 888-633-1975.

## 7. LAMINATING FILM

It is recommended to use Fujipla, DryLam, or other quality films. See your dealer.

## 8. SPECIFICATIONS:

<b>MODEL</b>	<b>LPE3510</b>	<b>LPE6510</b>
Maximum Laminating Width	13"	25"
Laminating Film Thickness	1.5mil or 3.0mil	
Laminating Speed	4ft./min	3ft./min
Temperature	194°F-305°F (adjustable)	
Power Source	AC120 V 60Hz	
Current	6.7A	11.7A
Current Power	800W	1400W
Carton Dimension (W x L x H) (does not include DryLam "overbox" for ground shipments)	21.7"x15.4"x15.6"	33.5"x15.4"x15.6"
Net/Shipping Weight	50/61LBS.	62/80LBS.
Remarks	The room temperature should be within the range of 32 °F to 100 °F. The recommended room temperature is 68 °F. The machine can only be used at an altitude below 7000 feet.	

- Specifications may be modified without prior notice.

### **DryLam**

#### **A Trademark of Martin Yale Industries**

251 Wedcor Avenue, Wabash, IN 46992

Brian Jennett- Tech-Line & Service Advisor/Manager

Phone: (260-569-7231)

[www.MartinYale.com](http://www.MartinYale.com)



## 9. WARRANTY

This product is manufactured under a strict quality control system and has undergone stringent testing at our factory. To make sure, however, we guarantee the product under the following terms and conditions:

- Should a failure arise under normal operating conditions DryLam will provide the labor to replace any defective part deemed to be due to a manufacturing defect without charge to the original purchaser provided that the product is brought or shipped in to our dealer (at their approval) or to DryLam's Kansas City service center.

We will charge the purchaser for the following cases, even in the warranty period:

- Any breakdown or damage arising from abuse, neglect or any alteration or modification to the machine.
- Any breakdown or damage from fire, earthquake, or any act of God.
- Any charges for shipping and for shipping damage.

This warranty does not cover paper stocks that cannot be laminated satisfactorily. Issues involving adhesion are considered to be compatibility issues and not faults of the laminator.

Any visual changes in cosmetic parts caused by normal use or shipping damage are not covered under warranty.

\*To inquire about maintenance or to order laminating film, please contact your FUJIPLA dealer or DryLam.

THIS WARRANTY IS EXPRESSLY IN LIEU OF ALL OTHER WARRANTIES EXPRESSED OR IMPLIED INCLUDING THE WARRANTIES OF THE MERCHANTABILITY AND FITNESS FOR USE AND OF ALL OTHER OBLIGATIONS OR LIABILITIES ON OUR PART, AND WE NEITHER ASSUME NOR AUTHORIZE ANY OTHER PERSON TO ASSUME FOR US, ANY OTHER LIABILITY IN CONNECTION WITH THE SALE OF THIS MACHINE OR ANY PART THEREOF WHICH HAS BEEN SUBJECT TO ACCIDENT, NEGLIGENCE, ALTERATION, ABUSE OR MISUSE. WE MAKE NO WARRANTY WHATSOEVER IN RESPECT TO ACCESSORIES OR PARTS NOT SUPPLIED BY US. THE TERM "ORIGINAL PURCHASER" AS USED IN THIS WARRANTY, SHALL BE DEEMED TO MEAN THE PERSON OR COMPANY WHO FIRST PUTS THE EQUIPMENT INTO SERVICE (PURCHASED OR LEASED) FOR A PERIOD OF ONE YEAR BEGINNING FROM DATE OF SHIPMENT FROM DRYLAM. THIS WARRANTY SHALL APPLY ONLY WITHIN THE BOUNDARIES OF THE CONTINENTAL UNITED STATES.

(end)



251 Wedcor Avenue, Wabash, IN 46992  
Brian Jennett- Tech-Line & Service Advisor/Manager  
Phone: (260-569-7231)  
[www.MartinYale.com](http://www.MartinYale.com)

