

FORMAX[®]

FD 404A1
High-Capacity Air Jogger

OPERATOR / PARTS MANUAL
FIRST EDITION

TABLE OF CONTENTS

SUBJECT	PAGE
DESCRIPTION	1
SPECIFICATIONS	1
UNPACKING	1
SAFETY	1
FEATURES & CONTROL PANEL	2
OPERATION	3
BASIC JOGGING	3
PAPER TRAY TILT ADJUSTMENT	3
USING THE TIMER	4
TROUBLESHOOTING	4
DAILY MAINTENANCE	4
PARTS LIST	5

DESCRIPTION

FUNCTION

The FD 404A1 High-Capacity Air Jogger aligns and dries printed sheets in a single process while reducing static electricity. Variable vibration speed and air pressure controls combine to reduce jogging time, allowing press sheets and digital printouts to be air-dried immediately.

SPECIFICATIONS

Variable Vibration Speed:	Up to 3,000 vpm
Variable Air Control:	Up to 29,000 rpm
Bin Size:	3.75" D x 20.375" W
Media Size:	5" x 7" Min up to 12" x 18" Max
Sheet Capacity:	Up to 940 sheets 20#
Dimensions:	21" W x 18" D x 54" H
Weight:	100 lbs.
Voltage:	110V/120V, 50/60 Hz



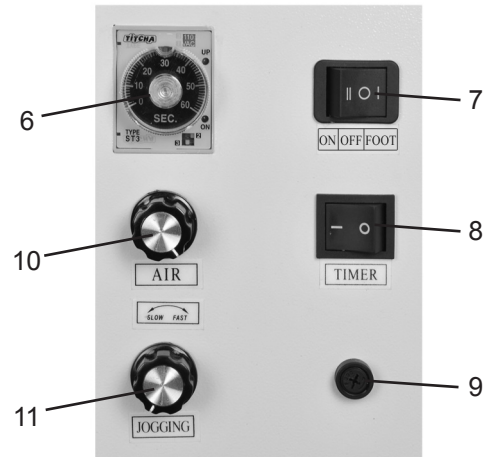
UNPACKING

1. Check package for shipping damage. If there is shipping damage, do not discard the box.
2. Remove the machine and packed components from the box, includes power cord and manual.

SAFETY PRECAUTIONS

- Place the machine on a level and stable surface, to prevent it from falling over and causing personal injury or damage to the machine. Avoid locations with direct sunlight, excessive dust and/or dirt, chemicals, salt or vibrations.
- Connect the power plug to a grounded outlet and do not use any other voltage other than specified on the serial plate. Do not share a wall outlet with another piece of equipment as overheating could occur. Be sure to route the power cable to the wall outlet in a way which will prevent people from tripping over it.
- When cleaning the machine, turn off the power first, then unplug from the wall outlet.
- Do not dismantle or attempt to repair the machine. Do not lubricate or apply grease to the machine. Call for service.

FEATURES & CONTROL PANEL



Control Panel

No.	NAME	FUNCTION
1	Paper Tray	Holds paper for jogging
2	Tray Tilt Adjustment Knob	Used to alter the tilt angle of the paper tray
3	Control Panel	Controls all functions of the jogger
4	Main Power Switch	Turns the power on or off
5	Foot Pedal	Used for hands-free operation
6	Timer Adjustment Knob	Choose jogging duration, from 0-60 seconds
7	3-Way Power Switch	Power on. Power off, Foot pedal operation
8	Timer Off/On Switch	Toggles between timed and untimed jogging (I = on, O = off)
9	Fuse (3A)	Fuse for jogging
10	Air Adjustment Knob	Turn right for stronger air pressure, turn left for less air, all the way left for no air
11	Jog Speed Adjustment Knob	Turn right for increased vibrations, turn left for decreased vibrations

OPERATION

Basic Jogging

When the AIR adjustment knob is turned to the right (ON), air blows through vents in the paper tray while the machine is operating.

When the JOG adjustment knob is turned to the right (ON), the paper tray vibrates.

For jogging regular paper, both switches should be set to ON, while the air-only option can be used to loosen paper or dry ink.

Power Switch Setting	Timer Setting	Result
ON	OFF	Jogger operates continuously
ON	ON	Operation begins immediately
FOOT	OFF	Jogger operates continuously once foot switch is pressed
FOOT	ON	Operation begins by stepping on the foot switch

Paper Tray Tilt Adjustment

1. Hold the lower center of the paper tray. **NOTE:** Keep hands and fingers away from the lower portion of the paper tray to avoid injury.
2. Loosen the tilt adjustment knob and adjust tilt angle.
3. Tighten adjustment knob. Be sure it is well tightened so it won't become loose during jogging.

In general, the paper tray is tilted vertically for thick paper (Fig. 1). For thin paper, set the paper tray horizontally to prevent the paper from being bent and folding over. (Fig. 2).

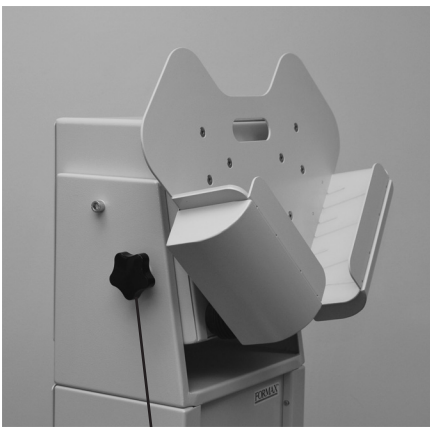


Fig. 1
Tilt Adjustment Knob



Keep fingers away from this area
when adjusting tilt angle



Fig. 2

Using the Timer

1. Set Timer switch to on (I).
2. Turn the Timer Adjustment Knob to the desired length of time you wish to jog. Choose from 0 to 60 seconds.
- 3a. Standard operation: Set the timer switch to the on position and set the three way switch to the on position, air flow and vibrations begin when the is stepped on. Jogging and air flow will stop when the set time has passed.
- 3b. Foot Pedal operation: Set the timer switch to the on position and set the three way switch to FOOT, air flow and vibrations begin when the foot switch is stepped on. Jogging and air flow will stop when the set time has passed.

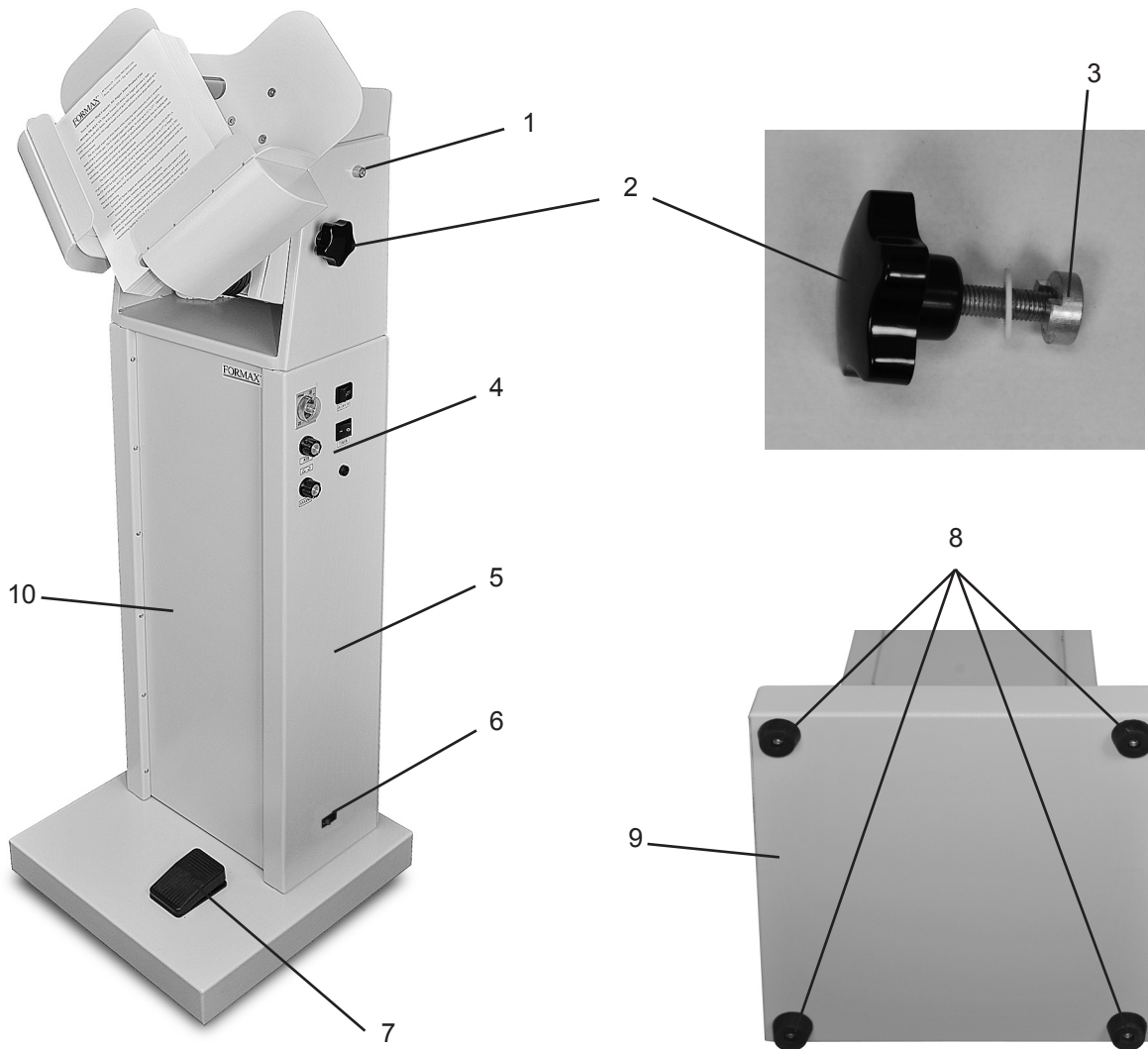
TROUBLESHOOTING

TROUBLE	POSSIBLE CAUSE	REMEDY
Paper is not jogged completely	Paper is a non-standard size	Jog it while loosening it by hand.
	Paper has static electricity	Add some space between the sheets by hand.
	Too much paper in paper tray	Reduce the volume of paper jogged at one time.
Air flow is weak	Air adjustment knob is set to low volume	Turn knob to the right to increase air flow.
	Paper or paper scrap is lodged in air inlet or outlet	Clear air inlet and/or outlet.
	If air flow problem is not fixed following these suggestions, blower maintenance may be required. Call for service.	
No air is discharged	Air adjustment knob is set to OFF	Turn knob to the right to increase air flow.
	Fuse is blown	Replace Fuse
	If the fuse is blown again after replacement, the cause may be within the machine. Call for service.	
Paper tray will not vibrate	Jogger adjustment knob is set to OFF	Turn knob to the right to increase vibrations
	Fuse is blown	Replace Fuse
	If the fuse is blown again after replacement, the cause may be within the machine. Call for service.	

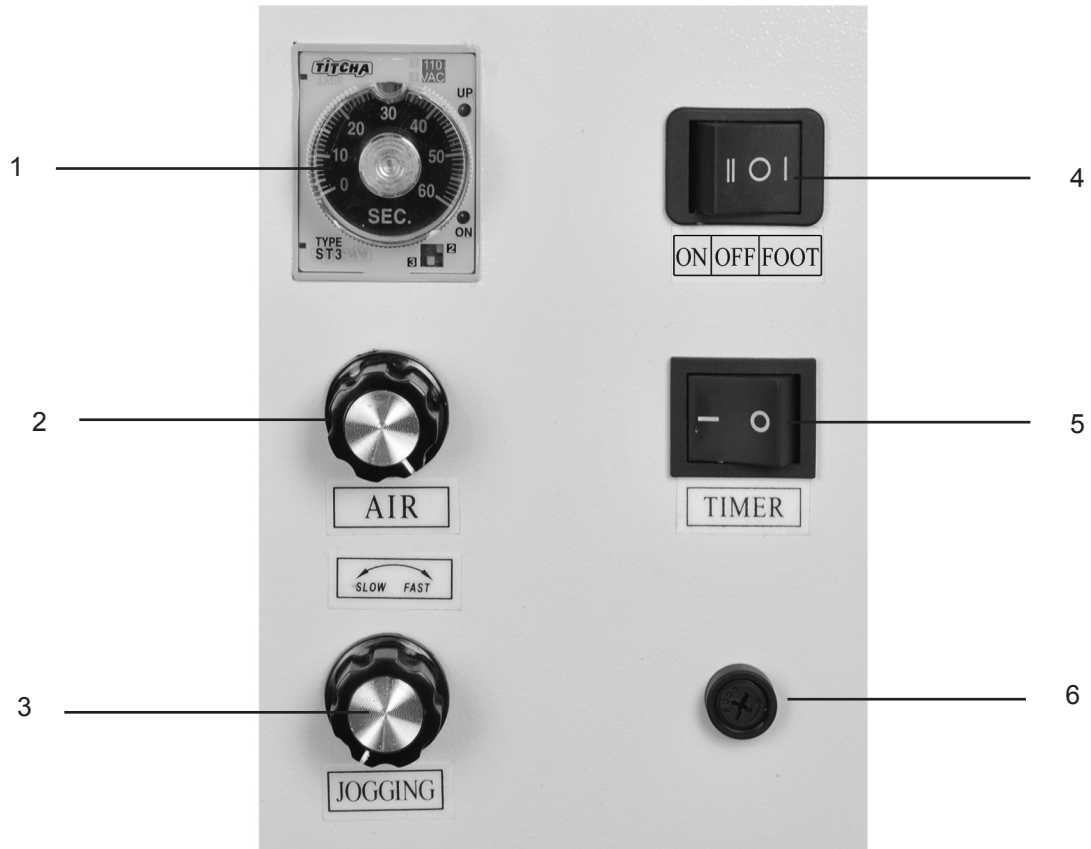
DAILY MAINTENANCE

Clean the air outlet vents in the paper tray to remove paper scraps or dust.

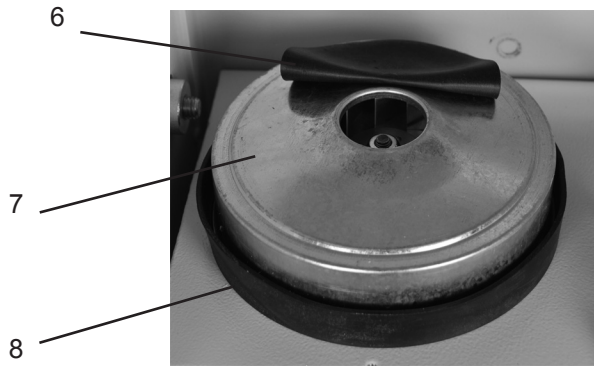
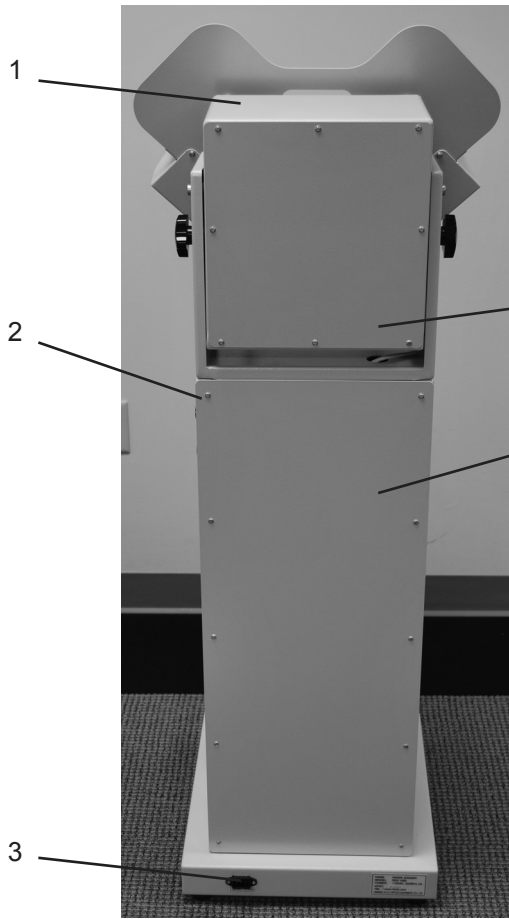
PARTS



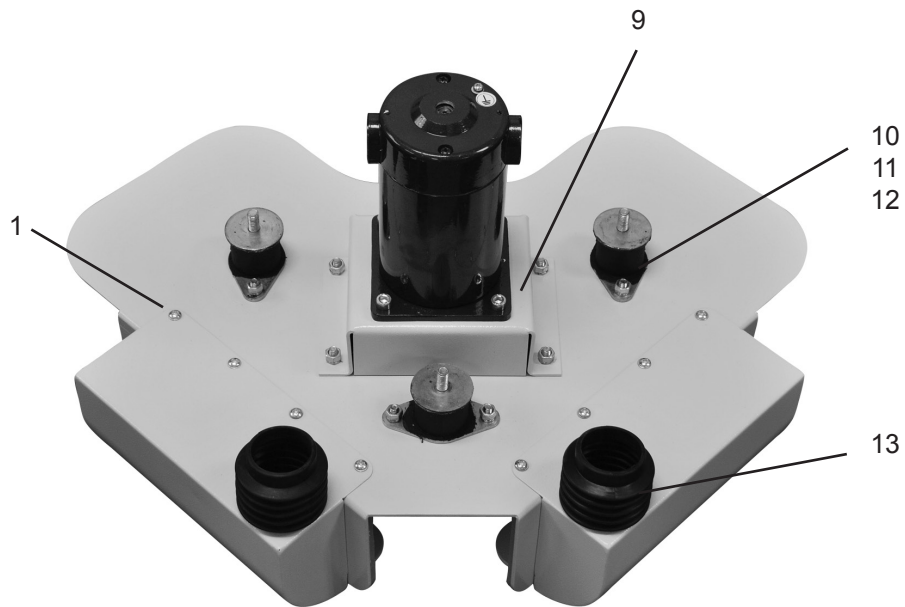
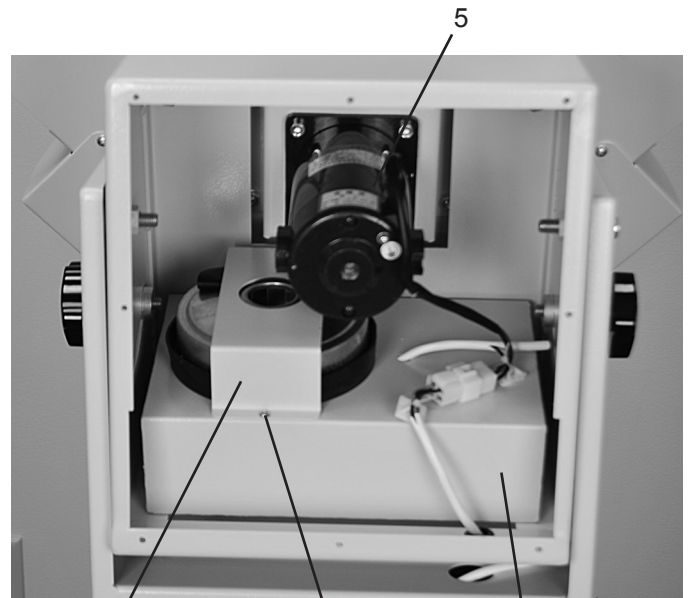
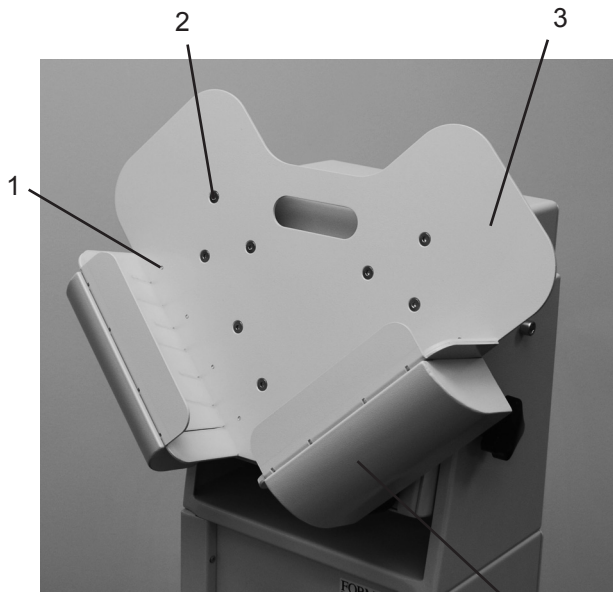
ITEM #	PART #	DESCRIPTION	QTY
1	RDD-019P	BOLT	2
2	RDD-031P	TILT ADJUSTMENT KNOB	2
3	RDD-030P	TILT ADJUSTMENT KNOB NUT	2
4	SEE NEXT PAGE	CONTROL PANEL	1
5	RDD-020P	BODY SIDE PANELS	2
6	RDD-021P	POWER SWITCH	1
7	RDD-022P	FOOT PEDAL	1
8	RDD-023P	RUBBER FEET	4
9	RDD-024P	BOTTOM PANEL	1
10	RDD-036P	FRONT PANEL	1



ITEM #	PART #	DESCRIPTION	QTY
1	RDD-003P	TIMER SWITCH	1
2	RDD-004P	AIR BLOW ADJUST KNOB	1
3	RDD-005P	JOG SPEED ADJUST KNOB	1
4	RDD-006P	ON / OFF / FOOT POWER SWITCH	1
5	RDD-007P	TIMER ON-OFF ROCKER SWITCH	1
6	RDD-008P	FUSE HOLDER	2



ITEM #	PART #	DESCRIPTION	QTY
1	RDD-025P	MOTOR CASING	1
2	RDD-026P	SCREWS	10
3	RDD-027P	POWER PLUG INLET	1
4	RDD-028P	TOP REAR PANEL	1
5	RDD-029P	LOWER REAR PANEL	1
6	RDD-013P	SOUND REDUCTION PAD	1
7	RDD-014P	FAN MOTOR	1
8	RDD-015P	RUBBER BOOT	1
9	RDD-001P	CONTROL BOARD A	1
10	RDD-002P	CONTROL BOARD B	1



ITEM #	PART #	DESCRIPTION	QTY
1	RDD-026P	SCREWS	8
2	RDD-032P	BACK WALL BOLT	6
3	RDD-034P	BACK WALL	1
4	RDD-035P	AIR CANISTERS	2
5	RDD-009P	MOTOR	1
6	RDD-012P	BRACKET	1
7	RDD-011P	BRACKET SCREW	2
8	RDD-010P	BLOWER BOX	1
9	RDD-016P	MOTOR MOUNT	1
10	RDD-017P	RUBBER MOUNT	3
11	RDD-018P	RUBBER BLOWER TUBE	2