

# FORMAX<sup>®</sup>

---

Square IT  
Squareback Booklet Finisher



# Table of contents

## **1. Introduction**

---

1.1	Operation safety	1-1
-----	------------------	-----

## **2. Getting to know the Square IT**

---

2.1	Main components	2-1
2.2	The control panel	2-3

## **3. Making Square Folds**

---

3.1	Making square folds	3-1
3.2	Bypass mode	3-1
3.3	Stacker full sensor	3-1
3.4	Operating	3-2

## **4. Maintenance**

---

4.1	Cleaning the feed belts	4-1
-----	-------------------------	-----

## **5. Troubleshooting**

---

4.1	Clearing jams	4-1
4.2	Troubleshooting	4-2

## **6. Specification**

---

6.1	Specification	6-1
-----	---------------	-----

# 1. Introduction

## 1.1 Operational safety

---

Attention to the following notes ensures the continued safe operation of your equipment.

**Always** connect the equipment to a properly grounded power source receptacle. In doubt, have the receptacle checked by a qualified electrician.

**WARNING:** Improper connection of the equipment grounding conductor can result in electrical shock.

**Always** follow all warnings marked on, or supplied with, the equipment.

**Always** locate the equipment on a solid support surface with adequate strength for the weight of the machine.

**Always** exercise care in moving or relocating the equipment.

**Always** keep magnets and all devices with strong magnetic fields away from the machine.

**Never** use a ground adapter plug to connect the equipment to a power source receptacle that lacks a ground connection terminal.

**Never** attempt any maintenance function that is not specifically described in this documentation.

**Never** remove the covers or guards that are fastened with screws.

**Never** install the unit near a radiator or any other heat source.

**Never** override or “cheat” electrical or mechanical interlock devices.

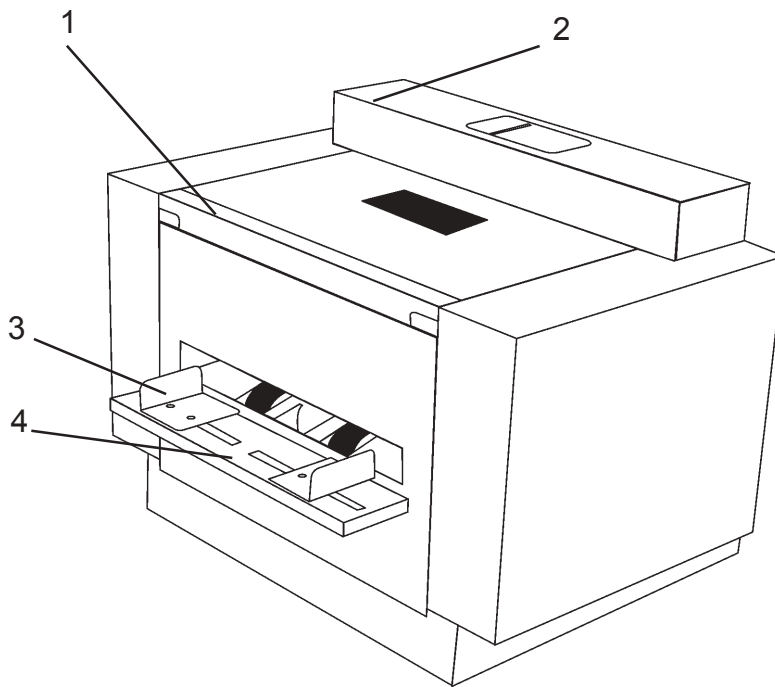
**Never** operate the equipment if you notice unusual noises or odors. Disconnect the power cord from the power source receptacle and call your customer service engineer to correct the problem.

## 2. Getting to know the Square IT

This chapter contains basic information about the Square IT and its components.

### 2.1 Main Components

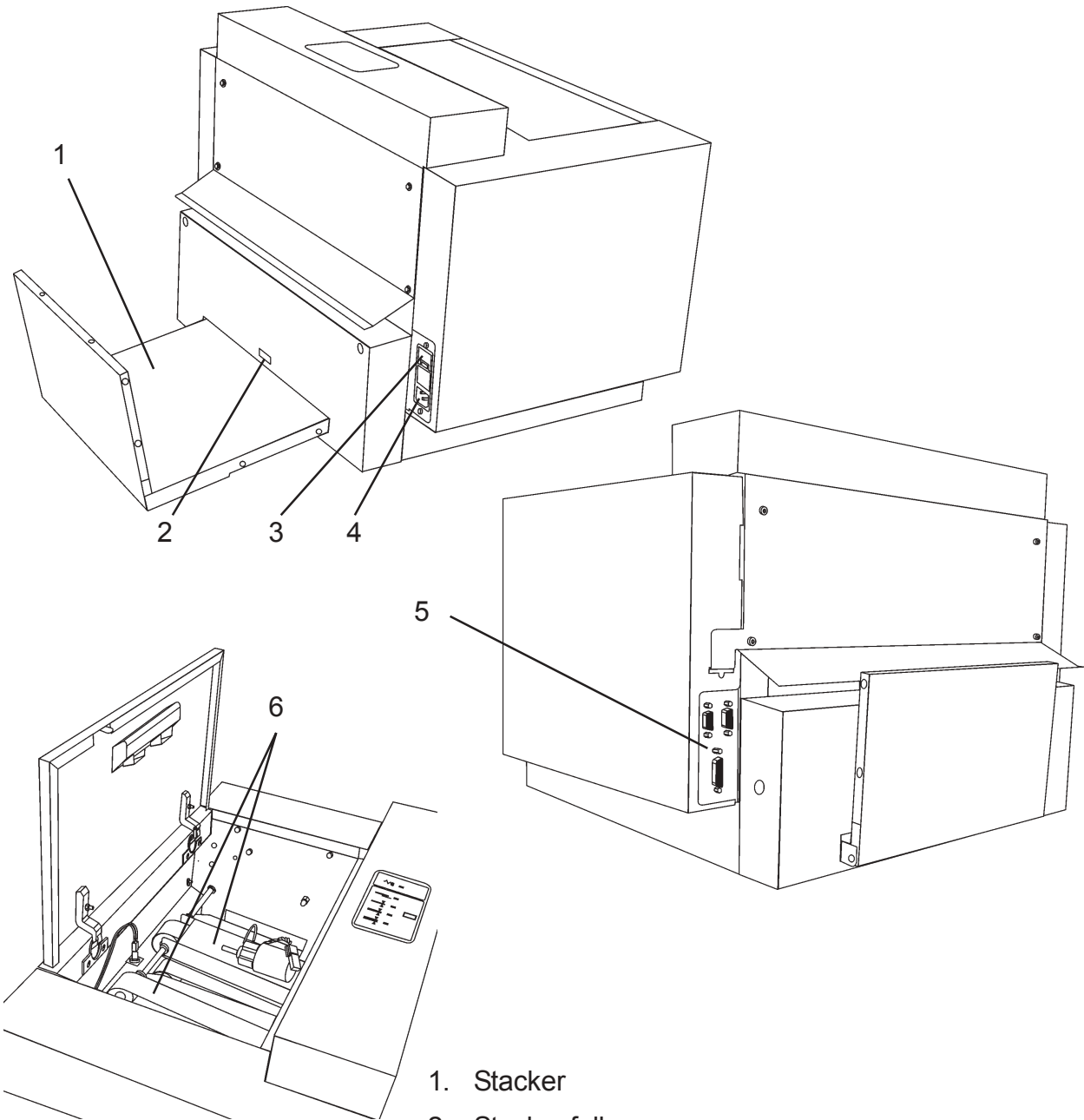
---



1. Top cover
2. Control panel
3. Side Guides
4. Manual feed tray

## 2.1 Main Components cont.

---

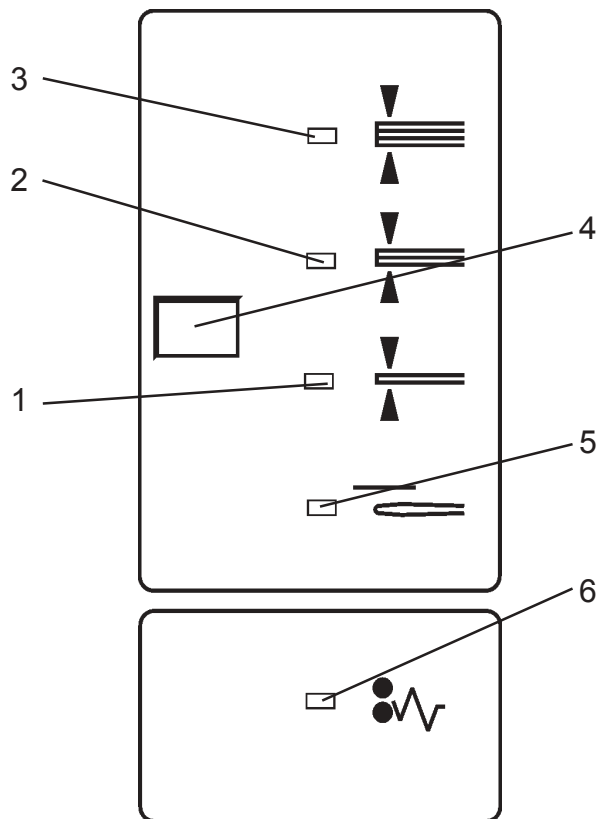


1. Stacker
2. Stacker full sensor
3. Main Power switch
4. Power receptacle
5. Communication connectors
6. Feed belts

## 2.2 Control Panel

---

The control panel of the Square IT has one button to select the different modes. The control panel also has a number of indicators to display the operation mode and to display if a jam occurs.



1. Mode 1: 6 to 10 sheets \*
2. Mode 2: 11 to 15 sheets \*
3. Mode 3: 16 to 24 sheets\*
4. Mode select button
5. Bypass mode: 0 to 5 sheets
6. Jam indicator

**Note:**

\* 80 gsm or 20 lb bond

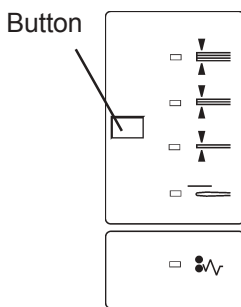
### 3. Making square folds

#### Description

The Square IT takes your normal booklets and makes them look more like perfect bound (glue bound) books. The output lays flat for easy packing and you are also able to print on the back (spine) of the book for easy retrieval in bookshelves. The Square IT runs up to 1800 sets / hour depending on which mode that is selected.

#### 3.1 Square fold booklets

---



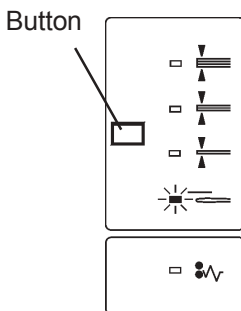
In order to produce optimum book quality the Square IT unit operates in 3 different modes depending on the thickness of the book. Select mode by pressing the mode select button.

#### Mode selection guide lines

- Mode 1 for 6–10 sheets (80 gsm or 20 lb bond stock)
- Mode 2 for 11–15 sheets (80 gsm or 20 lb bond stock)
- Mode 3 for 16 or more (80 gsm or 20 lb bond stock)

#### 3.2 Bypass mode

---

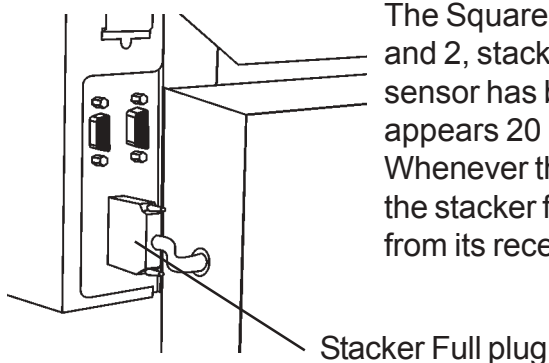


Forming the spine square is not advisable for booklets containing 5 sheets or less.

Select bypass mode when making booklets with less than 6 sheets, or when no forming of the spine is desired.

#### 3.3 Stacker full Sensor

---



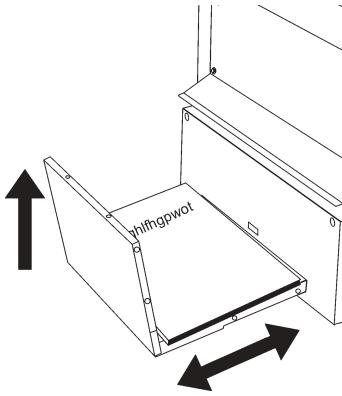
The Square IT is equipped with a stacker full sensor. In mode 1 and 2, stacker full signal appears 30 booklets after the stacker full sensor has been blocked. In mode 3 and Bypass, stacker full signal appears 20 booklets after the stacker full sensor has been blocked. Whenever the books are removed the count starts from zero again. If the stacker full function is not desired, disconnect the stacker full plug from its receptacle.



## 3.4 Operating the Square IT

---

1. Switch on the Main Power Switch.
2. Place a finished booklet on the stacker. Adjust the stacker by lifting up rear end and move it in/outwards to fit the booklet.
3. Select mode according to section 3.1/3.2. The Square IT is now set up to receive booklets delivered from the Trimmer or fed by hand.



### **Hand feeding**

4. Adjust the manual feed tray side guide to the width of the booklet.
5. Place the booklet on the manual feed tray and gently push it in (spine first). The feed belts energize automatically and pulls the booklet into the Square IT. When the book exits the Square IT, the next booklet can be fed.

## 4. Maintenance

### 4.1 Cleaning the Feed Belts

---

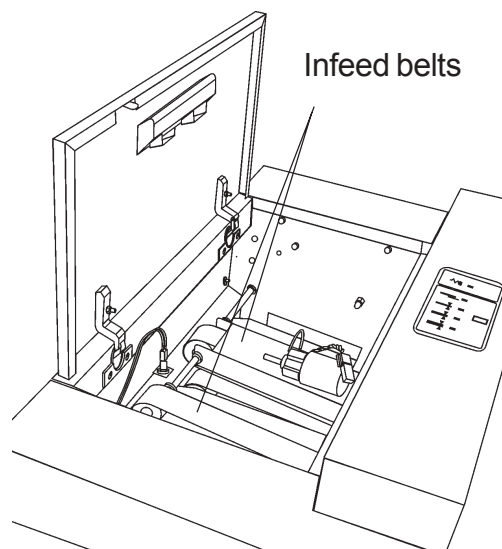
Clean the feed belts using a mild soap detergent every 10,000 sets or earlier if needed.

## 5. Troubleshooting

### 5.1 Clearing Jam

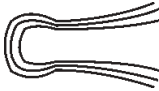


---

1. Open top cover, lift up both infeed belts and take out the jammed booklets.
2. Place feed belts in their normal position and close the top cover.



## 5.2 Troubleshooting

---

PROBLEM	POSSIBLE CAUSES	ACTION
The jam indication LED is flashing.	Jam inside module.  Stacker is full.	Open the top cover and take out the jammed set. See section 5.1. Clear the stacker from booklets.
There is print residue on the cover of the booklets.	There is print residue on the belts.	Clean the feed belt according to section 4.1.
There is print residue on the spine.	There is print residue inside	Run sets with white covers (not printed) until residue disappears.
	The booklet is not enough pressed.	Correct the mode. Change to higher mode 2 or 3.
	The booklet is pressed too much.	Correct the mode. Change to lower mode 2 or 1.
	When the booklet is pressed too much, the fold can become corrugated. Especially on booklets containing few sheets.	Correct the mode. Change to mode 2, 1 or bypass.

## 6. Technical Specification

### 6.1 Technical Specification

---

Speed	Mode 1 Mode 2 Mode 3	Max 2000 sph Max 2100 sph Max 1200 sph
Capacity		Up to 24 sheets of 80gsm (96 page book) (20 lb bond)
Booklet size	Min Max	100 x 120 mm (4" x 4 <sup>1</sup> / <sub>2</sub> " ) 240 x 325 mm (9 <sup>1</sup> / <sub>2</sub> " x 12 <sup>3</sup> / <sub>4</sub> " )
Jam detection		Yes
Stacker full detection		Yes
Dimension (HxWxD)		329 x 405 x 560 mm (13" x 16" x 22")
Weight		30 kg (66 lb)
Voltage		105/115/125/220/230/240V 50-60 Hz

Machine design and specification subject to change without notice