



Tamerica
PRODUCTS, INC.

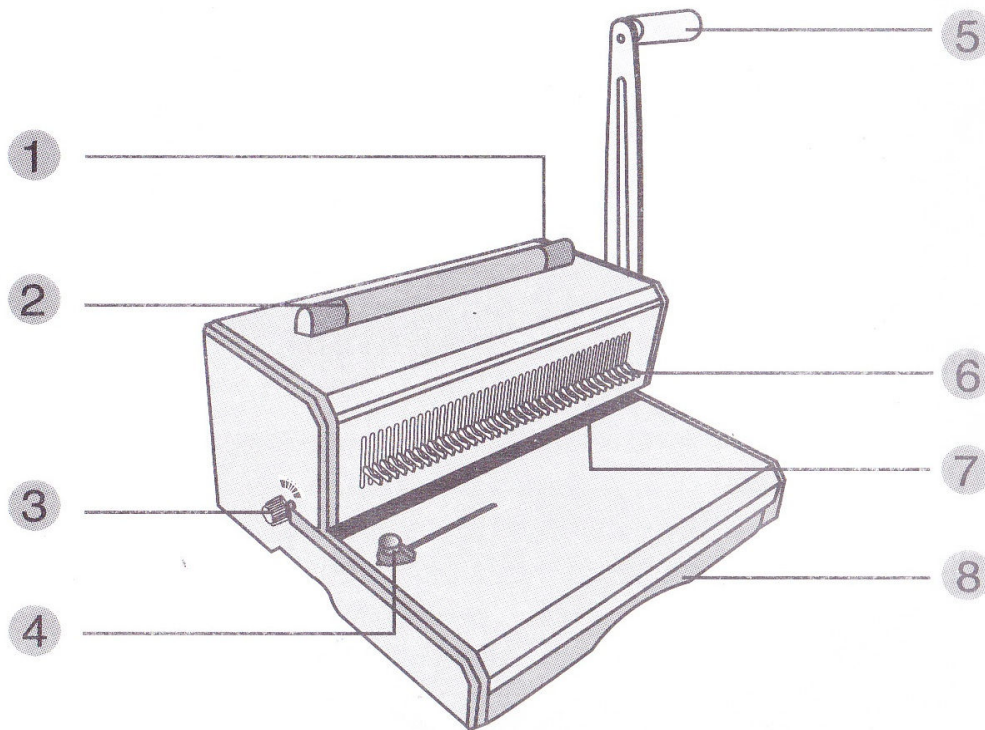
PROCOIL-53Ei
Coil Punch & Bind Machine



OPERATING MANUAL



APPELLATION

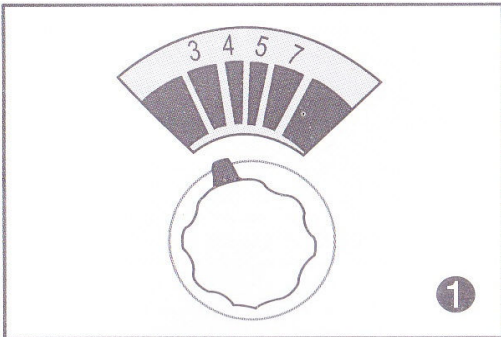


- | | |
|-------------------------------|----------------------|
| ① Switch | ⑤ Punching handle |
| ② Binding roller | ⑥ Adjustable setting |
| ③ Depth margin adjusting knob | ⑦ Paper entrance |
| ④ Punching location | ⑧ Waster paper box |

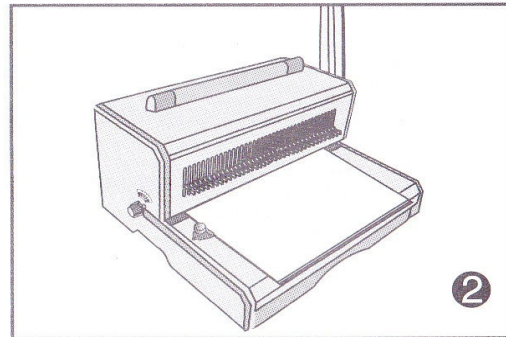
IMPORTANT SAFETY INSTRUCTIONS-Read Before Using!

- 1、 It is suggested that try to bind document and avoid binding material like PP、 PVC to maintain long term usage of machine。
- 2、 To make a book binded perfectly . pls make sure paper cover and back cover should be punched together with documents to avoid offsetting。
- 3、 The documents should be put on the base plate flatly while punching。
- 4、 Clear the waste paper and other things from the base plate before punching。
- 5、 Make sure that punch below 20 sheets each time。
- 6、 pls power off when finished using the machine。

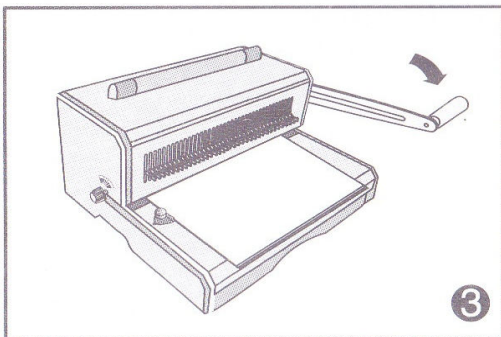
OPERATION



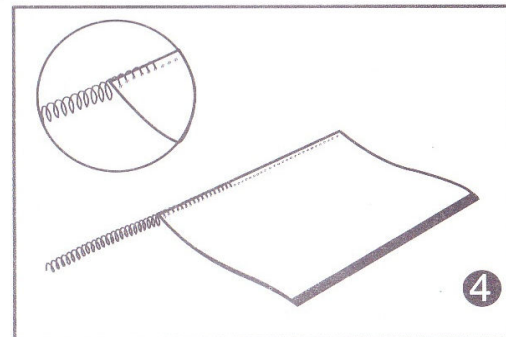
- 1、 Pls select proper depth margin as per the thickness of bided documents.press and turn the depth margin adjusting knob to the needed scale(if document thickness is less than 10mm.we suggest level 3 as referred in the above picture)



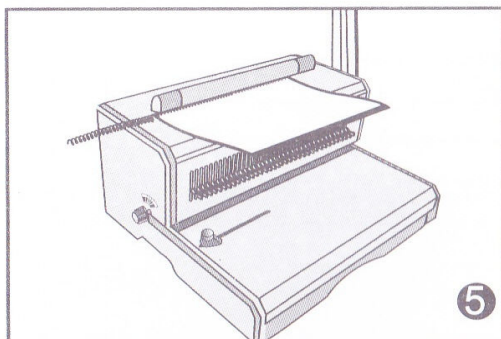
- 2、 Fix the punching location according to the size of documents,and move out the punching selector to avoid the documents punched to break, insert the documents(upto the MAX. punching capacity) to the end, make sure the left side of documents align at punching location



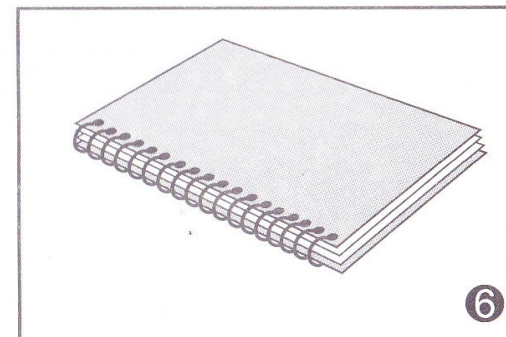
- 3、 Try to press the punching handle,and then lift it and take out the documents



- 4、 Select the suitable size of coil according the thickness of documents ,first put the coil 2-6 rings through the punched holes manually



- 5、 Turn on the switch , align the bided documents with rings at the roller, make sure the coil through the punched holes gradually



- 6、 Documents is finished binding.

KEEP THE MACHINE CLEAN

When cleaning the cover,please clean with a damp cloth using mild soap and water solution the use of abrasives.

SPECIFICATIONS

| Type | |
|-------------------|--------------------------------|
| Binding capacity | 230 sheets/ 25.4mm |
| Paper size | Below than A4 paper |
| Punching capacity | 20 sheets(80g paper) |
| Facilities | 53 international standard hole |
| Hole spec | ∅ 4.0mm |
| Punching form | Manual |
| Binding form | Electric(220V50HZ/110V60HZ) |
| Net weight | 13 kgs |
| Product size | 450x350x250mm |

WARRANTY

Our machines are guaranteed against defects in materials and workmanship for a period of one year from the date of original purchase from an authorized dealer of TAMERICA PRODUCTS, INC. If you perceive or experience any issue with the machine, kindly report it to the dealer **within 10 business days** of said purchase to avail of free pickup and redelivery from TAMERICA's Service Center. After the first 10 days, you will either receive service instructions and parts via mail free of charge for the duration of the warranty.

Note that when returning the machine for warranty claims, the machine should be returned in its ***complete original packaging** to avoid incidental or consequential damages that may void the claim. A **copy of the invoice or other proof of purchase** also needs to be sent with the machine.

Upon evaluation of the machine and the determination of the actual defect, the machine will be restored to its regular working condition by the Service Center and shipped back to you free of charge. If you change your mind and simply want to return the machine, a **20% restocking fee** is charged even within the 10-day grace period. Further, you will have to cover freight to return the machine and it has to be in brand-new resalable condition, otherwise, you might incur more charges.

This warranty covers all defects incurred in the normal use of the equipment except in the following cases:

- Loss or damage to the equipment due to improper operation, abuse, mishandling or failure to follow the operating instructions.
- Removal or alteration of the serial number.
- The machine being serviced or modified by anyone other than a certified technician authorized by TAMERICA.

This warranty is valid only within the United States or its provinces and territories.

*** The original packaging must be kept for the duration of the warranty period.**